

WF45T6000AW

SAMSUNG

Samsung Front Load Washer with Closet - Depth Design
5.2 cu.ft. capacity IEC.



Signature Features

Self Clean+

Keeps your washer drum fresh and clean by eliminating 99% of bacteria¹. Will also send a reminder to clean the drum every forty wash cycles.

Closet-Depth

This washer fits within your existing laundry space without sacrificing any capacity thanks to our new, wider drum. A new control panel design provides better visibility so it's easy to use even when stacked.²

VRT Plus™

Innovative VRT Plus™ technology reduces noise and vibration for quiet washing.

Available Colors



White



Self Clean+



Closet-Depth

Features

- Self Clean+
- Smart Care
- VRT Plus™ technology
- Swirl+ Drum Design
- Closet-Depth Fit²
- Stackability
- Direct Drive Motor
- LED Display: Ice Blue
- 24-Hour Delay End

Convenience

- Child Lock
- Delay End
- Dispenser Trays: Main Wash, Softener, Bleach

Rating



ENERGY STAR® - Rated
CEE Tier 2
IMEF = 2.92
IWF = 2.9

¹Based on testing by Intertek of the Self Clean+ cycle on the WF6000R.

²Designed to fit a 40" installation depth.

WF45T6000AW

SAMSUNG

Samsung Front Load Washer with Closet - Depth Design 5.2 cu.ft. capacity IEC.

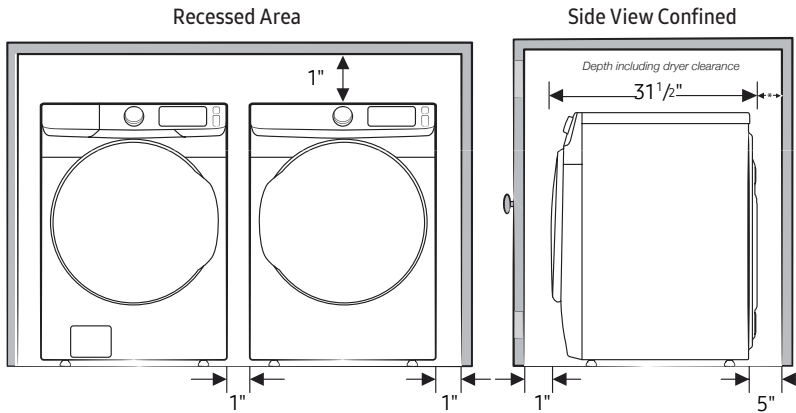
Installation Specifications

If the washer and dryer are installed together or the dryer alone, the closet front must have two unobstructed air openings for a combined minimum total area of 72-inch² (see stacked build below). Your washer alone does not require a specific air opening.

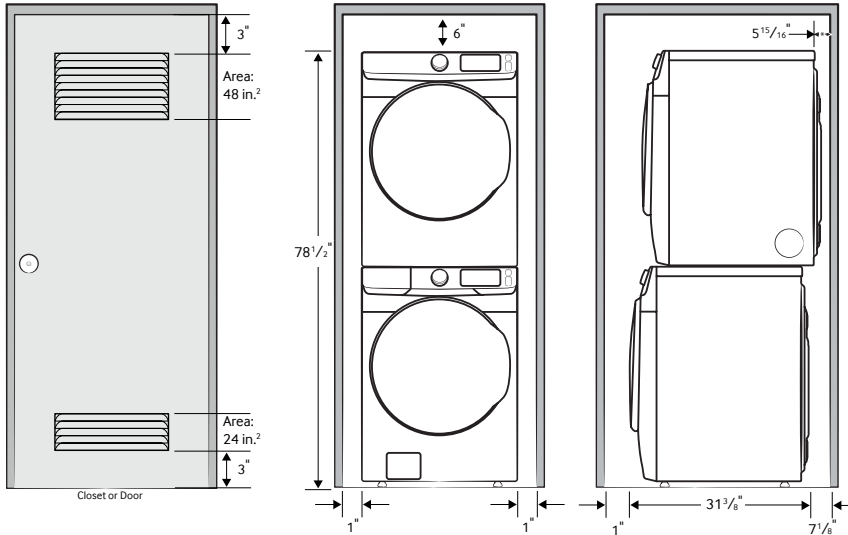
* Required spacing (External exhaust elbow may require additional space.)

1. Alcove or closet installation

Minimum Clearance for Closet and Alcove Installations:

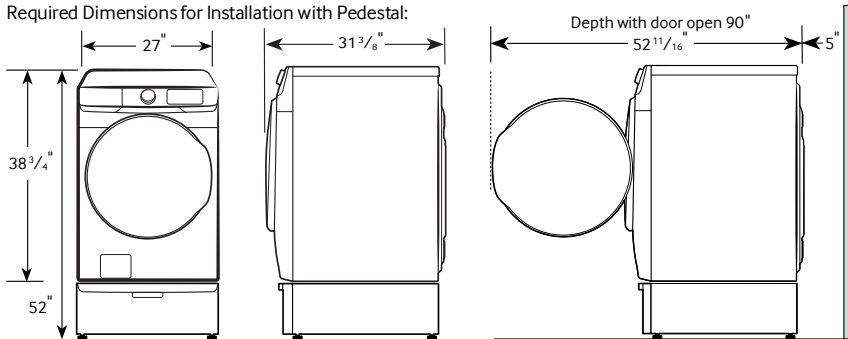


2. With stacked washer and dryer



Dimensions

Required Dimensions for Installation with Pedestal:



10 Preset Washing Cycles:

Normal, Heavy Duty, Bedding, Quick Wash, Permanent Press, Delicates, Whites, Rinse and Spin, Self Clean+, Active Wear.

7 Additional Washing Options:

Presoak, Delay End, Alarm Off, Child Lock, Smart Care, Spin Only

5 Temperature Levels:

Hot, Warmer, Warm, Cool, Cold

5 Spin Speeds:

High, Medium High, Medium, Low, No Spin

5 Soil Levels:

Heavy, Medium Heavy, Normal, Medium Low, Light

Dispenser Trays:

Main Wash, Softener, Bleach

Warranty

One (1) Year Parts and Labor

Ten (10) Years Direct Drive Motor (Part Only)

Product Dimensions & Weight (WxHxD)

Dimensions: 27 x 38³/₄ x 31³/₈ inch

Weight: 200 lb

Shipping Dimensions & Weight (WxHxD)

Dimensions: 29³/₈" x 42³/₈" x 34¹/₈"

Weight: 205 lbs

Color

White

Model

WF45T6000AW

UPC Code

887276394794

Matching Dryer

White

DVE45T6005W

887276387802

Pedestal

White

WE402NW

887276310152

Accessories

Stacking Kit

SKK-8K

887276344034